

Condizioni operative

Pressione: min 1.0 bar - max 12 bar

Temperatura: min +4°C - max 70°C

Portata: min 200 l/min - max 1100 l/min

Operating conditions

Pressure: min 1.0 bar - max 12.0 bar

Temperature: +4° C - 70° C

Flow rate: from 200 l/min to 1100 l/min

Caratteristiche tecniche

Fibra vetro PA 6 30%

Membrana in parti co-stampata per una miglior tenuta in chiusura

Astina in acciaio autopulente

Molla della membrana in acciaio con azione progressiva

PN12 testato pezzo per pezzo a 14 bar

Apertura manuale ON/OFF

Technical features

PA 6 30% fiberglass

Single-piece diaphragm for reliable leak-free valve closing

Self cleaning stainless-steel metering pin

Stainless-steel diaphragm differential spring for smooth closing

PN12 tested piece by piece at 14 bar

Bleed handle for manual opening with internal bleed

Codice/Code	Modelli 24Vac/24Vac Models
100.1802510	E.V.RN 180 FC 24VAC - 2" F
100.1882510	E.V.RN 180 FC 24VAC - 2" F WITH PRESSURE REGULATOR
100.1803410	E.V.RN 180 FC 24VAC - 3" F
100.1883410	E.V.RN 180 FC 24VAC - 3" F WITH PRESSURE REGULATOR
100.1803510	E.V.RN 180 FC 24VAC - 3" M

Codice/Code	Modelli 9Vdc/9Vdc Models
164.1802510	E.V.RN 180 FC 9VDC (AMP) - 2" F
164.1882510	E.V.RN 180 FC 9VDC (AMP) - 2" F WITH PRESSURE REGULATOR
164.1803410	E.V.RN 180 FC 9VDC (AMP) - 3" F
164.1883410	E.V.RN 180 FC 9VDC (AMP) - 3" F WITH PRESSURE REGULATOR
164.1803510	E.V.RN 180 FC 9VDC (AMP) - 3" M

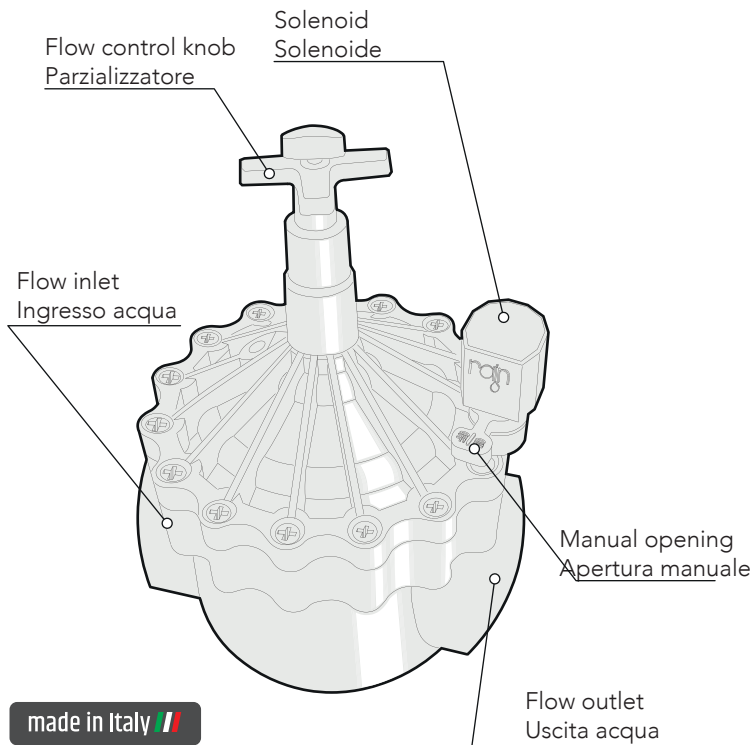


Via Kennedy 38/40
20023 - Cerro Maggiore
Milano - Italy
www.rain.it



RN 180

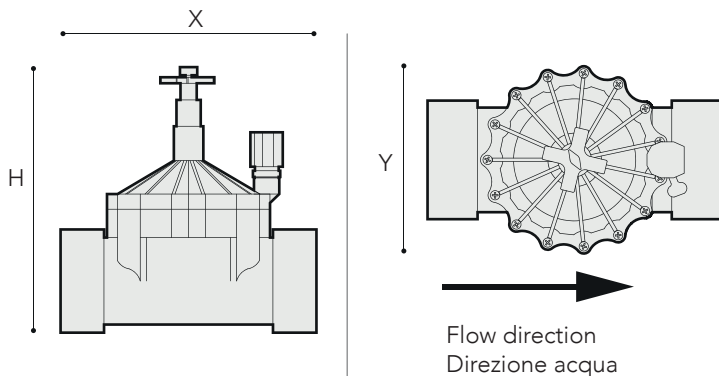
SOLENOID VALVE ELETTROVALVOLA



Perdite di carico / Loss of charge (in bar)

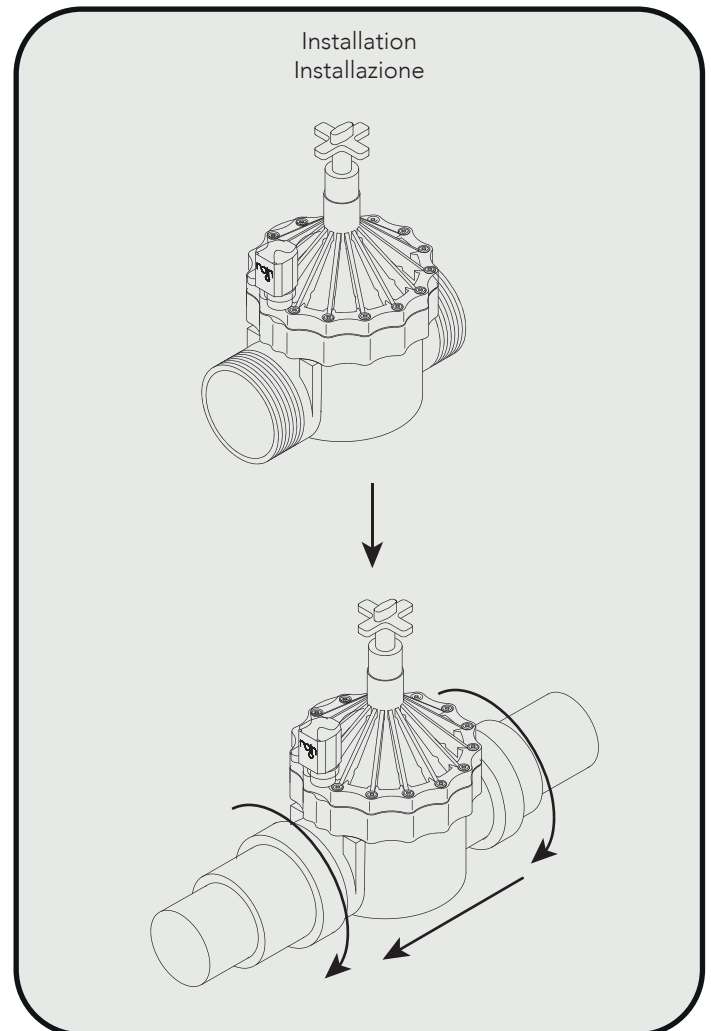
Diametro elettrovalvola/Thread model

Portata/Flow	Diametro elettrovalvola/Thread model	
	2"	3"
200 l/min	0.07	0.05
300 l/min	0.09	0.07
400 l/min	0.12	0.09
500 l/min	0.14	0.12
600 l/min	0.16	0.14
700 l/min	0.19	0.16
800 l/min	0.25	0.18
900 l/min	0.31	0.23
1000 l/min	0.38	0.28
1100 l/min	0.47	0.35

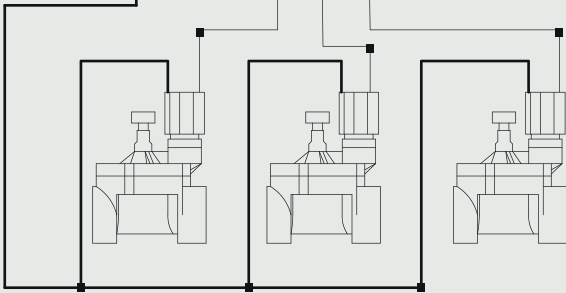
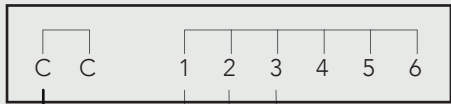
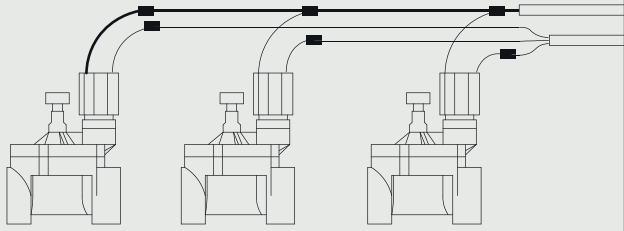


Dimensioni / Dimensions in cm

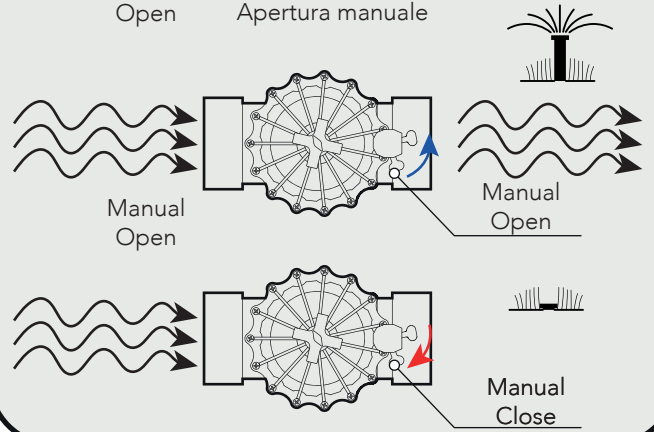
	3" M	3" F	2" F
H	25.0	25.0	25.0
X	24.0	25.3	25.3
Y	17.0	17.0	17.0



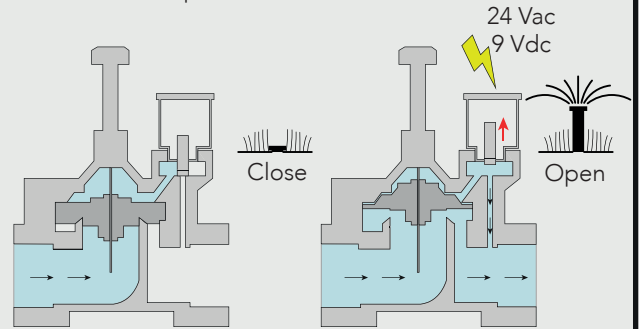
Connection to the 24Vac controller
 Connessioni con il programmatore 24Vac



Manual Open Manual opening
 Apertura manuale

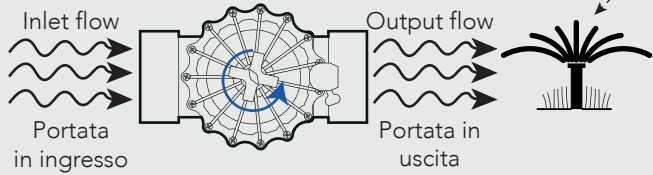


Opening with controller
 Apertura con centralina

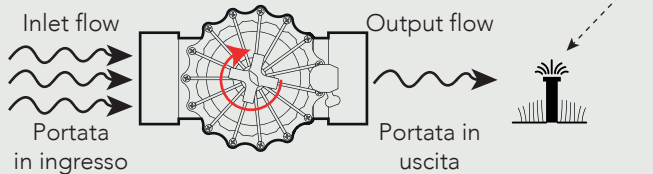


Flow control regulation
 Regolazione parzializzatore

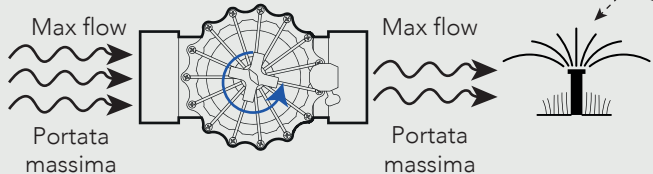
1 Apertura totale/Total opening



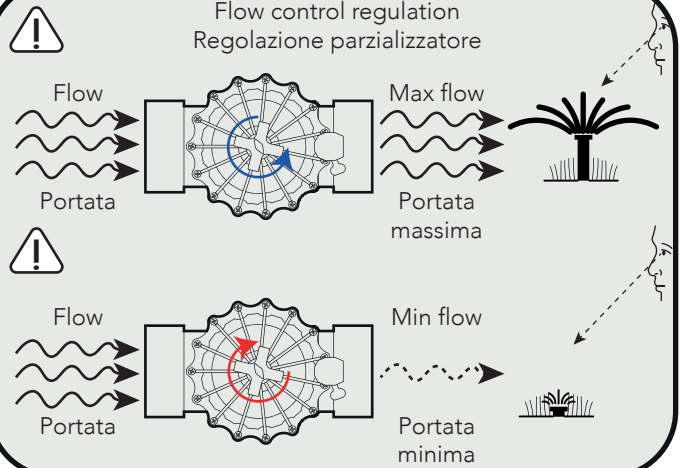
2 Regolazione parzializzatore/Flow control regulation



3 Regolazione parzializzatore/Flow control regulation



Flow control regulation
 Regolazione parzializzatore



In case of leaking
 In caso di trafileamento

